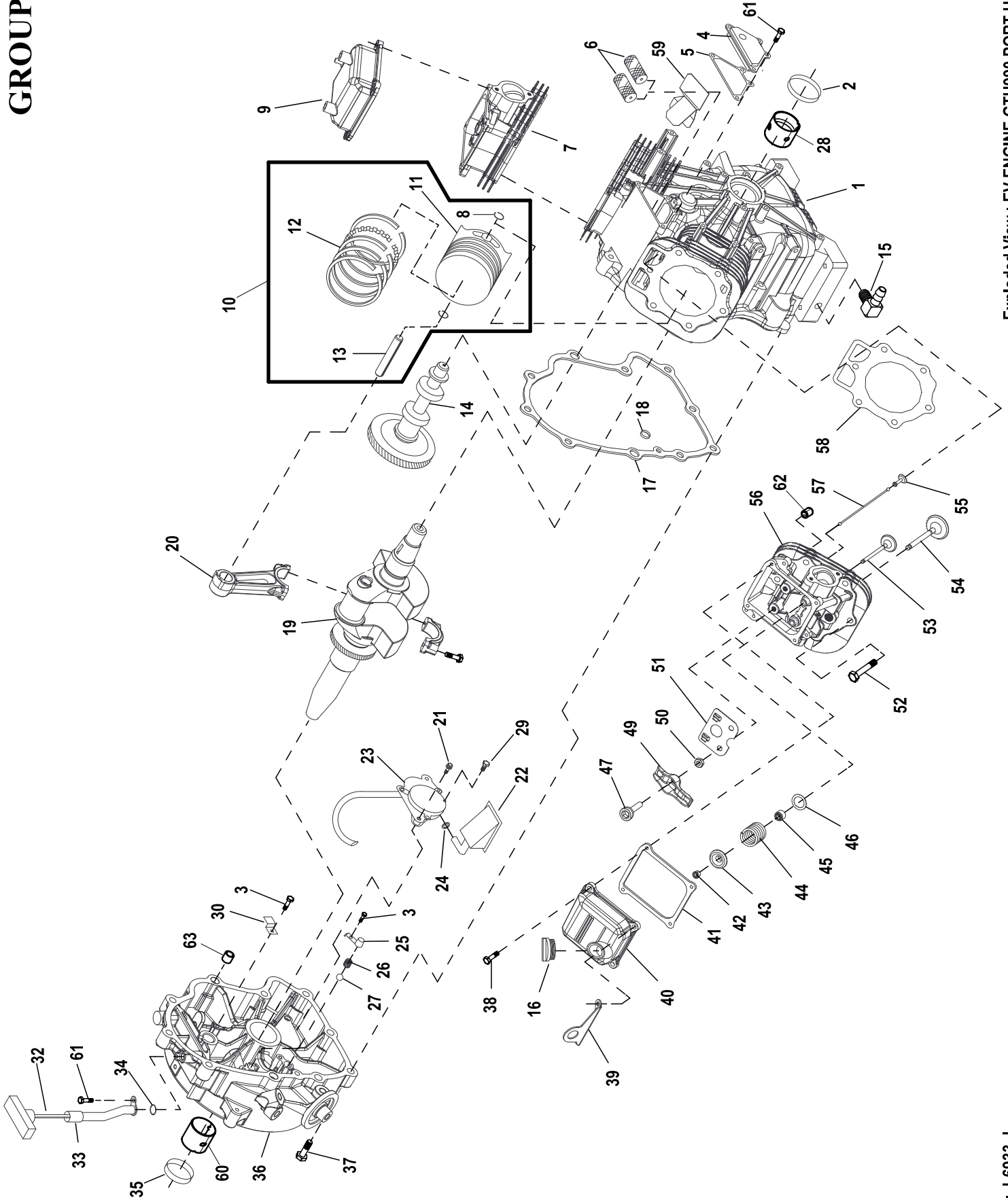
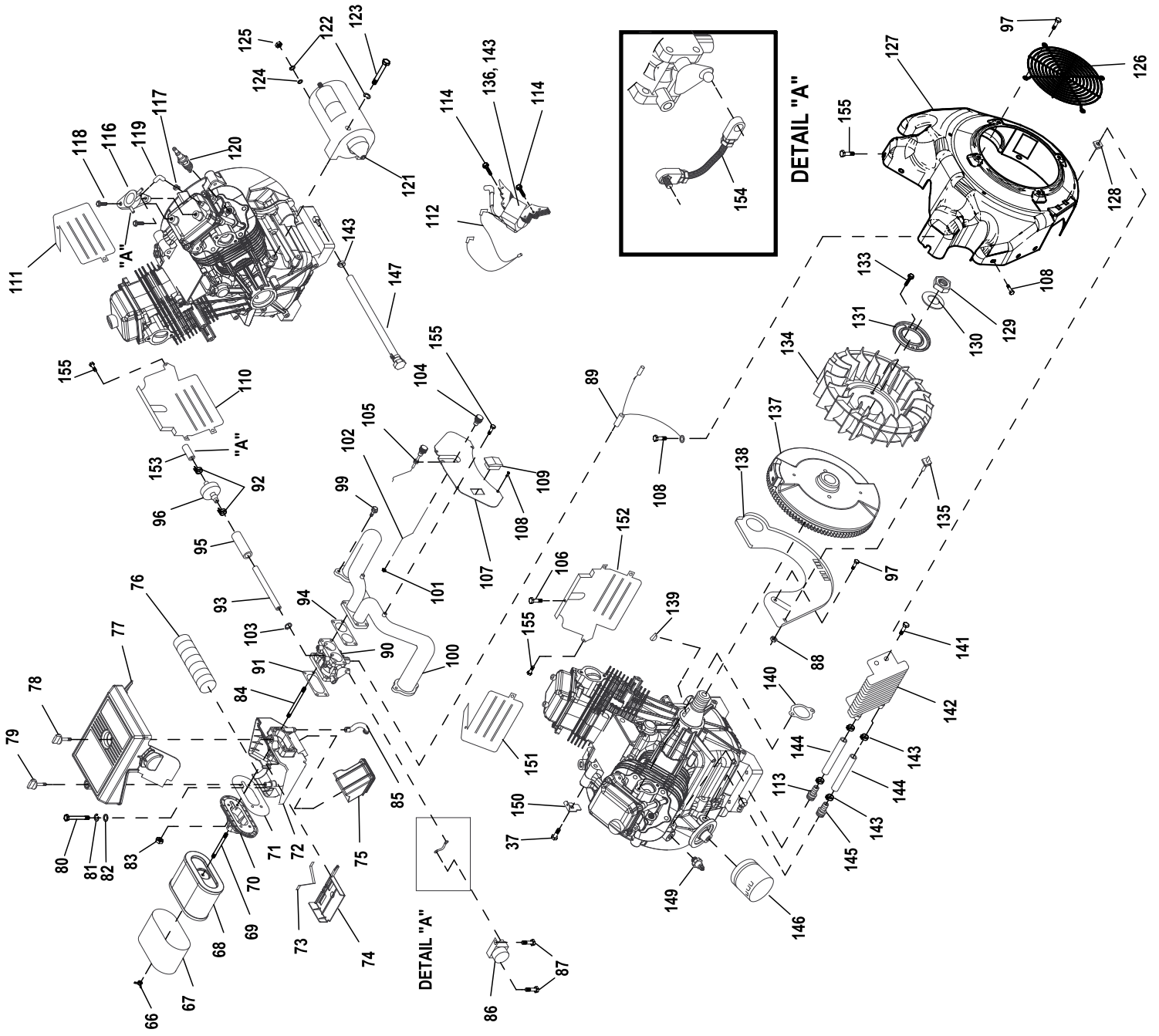


GROUP D



GROUP D



EXPLODED VIEW: EV ENGINE GTH990 PORT UNIV

DRAWING #: 0J3071

GROUP D

ITEM	PART#	QTY.	DESCRIPTION
		PAGE 1	
1	0G7908F	1	CCASE ASM DUAL DRAIN W/PLUGS
2	0K1534	1	SEAL CSHFT FLYWL SIDE RED
3	0G0919	3	SCREW, HHFCS M6-1.0 X 12 G8.8
4	0G9100	1	ASSEMBLY, BREATHER DUAL VALVE
5	0C3005	1	GASKET, BREATHER COVER
6	0E3372C	2	SEPARATOR, OIL BREATHER
7	0H1760A	1	ASSY HEAD CYL #1 GT-999 20KW
8	071983	4	RETAINER, PISTON PIN 20
9	0G0693	1	ASSY, ROCKER COVER W/BARB
10	0K1633A	2	ASSY PISTON DISH TOP GT999
11	0K0989	2	PISTON DISH TOP 90 HSB 2013
12	0G2565	2	RING SET, PISTON TOP DIA 90
13	0G7940	2	WRIST PIN 999 20X13X48 LONG
14	0D4041	1	ASSEMBLY, CAMSHAFT & GEAR
15	043790A	1	BARBED ELBOW, 90 DEG. 3/8NPT X 3/8 VS
16	093064	1	ASSEMBLY, OIL FILL CAP
17	0C2977	1	GASKET, CRANK CASE
18	0C5943	1	SEAL, OIL PASSAGE
19	0E4357E	1	CRANKSHAFT AND GEAR GTH-990
20	0J8969	2	ASSY CONROD MACH GT990
21	0G6431	2	SCREW SHC SEMS M6-1.0 X 50 G8.8
22	0E6098	1	SCREEN, OIL PICKUP
23	0D4123B	1	ASSY,OIL PUMP GTH W/O O-RING
24	0E8152	1	O-RING, 0.49 ID X 0.07 THICK
25	0C3011	2	COVER, OIL RELIEF
26	0C3009	2	SPRING, OIL RELIEF
27	0C3010	2	BALL, 1/2D OIL RELIEF
28	0C2960	1	SLEEVE,BEARING,CCASE
29	0F5458	1	SCREW, PLASTITE HI-LOW #10
30	0C5998	1	CLAMP, OIL TUBE
32	0F2664M	1	ASSEMBLY, DIPSTICK GTH-990 PORTABLE
33	0D3745	1	TUBE, DIPSTICK
34	0C3027	1	O-RING, 3/8 X 1/2
35	0K2035	1	SEAL CSHFT PTO 760/990 RED
36	0F8054	1	GEARCOVER / ADAPTOR GTH990/760
37	0C3006	10	SCREW, HHFC M10-1.5 X 55
38	080318	8	SCREW HHFC M6-1.0 X 25
39	0G1839	2	LIFT HOOK, GT990/760
40	0D2723D	1	COVER, ROCKER W/OIL FILL "GENERAC" TEXT
41	0C2979	2	GASKET, VALVE COVER
42	086515	8	KEEPER, VALVE SPRING
43	0D2274	4	RETAINER, VALVE SPRING
44	0D3867	4	SPRING, VALVE
45	078672	2	SEAL, VALVE STEM D7
46	0C5371	4	WASHER, VALVE SPRING
47	072694	4	STUD, ROCKER ARM PIVOT
49	0D5313	4	ROCKER ARM
50	0D3998	4	NUT, HEX M8-1.0 GB YELLOW CHROM
51	0J9679	2	PUSH ROD GUIDE PLATE
52	0C2976	12	SCREW HHFC M8-1.25 X 65
53	086516	2	VALVE, EXHAUST
54	0C2229	2	VALVE, INTAKE
55	083897	4	TAPPET, SOLID
56	0H1760B	1	ASSY HEAD CYL #2 GT-999 20KW
57	0D9853D	4	PUSHROD 147
58	0C2978	2	GASKET, HEAD
59	0G8558	1	DIVERTER, BREATHER GTH
60	0C4166	1	SLEEVE PTO BEARING GTH990
61	0D4167	5	CONTROLLER,B-C#:DPG-2107 (DSL)
62	078699B	4	SLEEVE DOWEL PIN 12 DIA.
63	078699C	2	SLEEVE DOWEL PIN DIA.14
64	0D4788	1	PLUG STD PIPE 3/8 STEEL SQ HD

EXPLODED VIEW: EV ENGINE GTH990 PORT UNIV

DRAWING #: 0J3071

GROUP D

ITEM	PART#	QTY.	DESCRIPTION
			PAGE 2
66	0D6592	1	WINGNUT, AIRBOX
67	0D4511	1	PRECLEANER, AIR
68	0D9723	1	ELEMENT, AIR CLEANER
69	0E5302	1	STUD M6-1.0 X 73
70	0D4183	1	ADAPTOR, SPIT BACK
71	0D6327	1	GASKET, SPITBACK
72	0D2774B	1	BASE, AIRBOX
73	0D5125	1	SPRING, WINTER/SUMMER VALVE
74	0D2930	1	VALVE, SUMMER / WINTER
75	0D4612A	1	SNORKEL, AIR INTAKE
76	0D6143	1	TUBE, HEAT RISER 50.8 I.D.
77	0D2775	1	COVER, AIRBOX
78	0D5014A	1	KNOB, AIRBOX 17mm
79	0D5014B	1	KNOB, AIRBOX 95MM
80	049721	1	SCREW HHC M6-1.0 X 35
81	022097	1	WASHER LOCK M6-1/4
82	022473	1	WASHER FLAT 1/4
83	0E8388	4	NUT, HEX FLANGE WHIZ M6-1.0
84	0D6021	4	STUD, METRIC
85	0C9093A	1	HOSE, BREATHER
86	0G6454	1	ASSY.CONTROLLER, GTH990 PORTABLE
87	074908	2	SCREW HHTT M5-0.8 X 10
88	082025	1	NUT, HEX LOCK M5-0.8 ZINC
89	0E3398	1	ASSEMBLY, WIRE
90	0K1588	1	CARBURETOR GTH990 W/BALL STUD
91	0D4026	1	GASKET, CARB TO SPACER (GT-990)
92	0G3662A	3	CLAMP,HOSE OETIKR STEPLSS 14.5
93	0F9176C	1	HOSE ¼ ID SAE 30R7 GREENBAR 9" PRE-CUT
94	0G0510	1	GASKET, MANIFOLD TO CARBURETOR
95	084409D	1	SLEEVEING, FLEXO HW ¾ 3"
96	0D6313	1	FILTER, FUEL
97	045756	8	SCREW, HHTT M6-1 x 10 LONG
98	082025	1	NUT, HEX LOCK M5-0.8 ZINC
99	0G3730B	4	SCREW, SHC M8-1.25 x 25 LG SEMS
100	0J8893	1	INTAKE MANF,HORIZ,2 BAR,MACH
101	051714	1	NUT HEX M3-0.5
102	0D5411	1	ROD, SUMMER / WINTER VALVE
103	040173	1	CLAMP, HOSE WORM GEAR
104	0D5416	1	KNOB, CONTROL SUMMER / WINTER, BLACK
105	0D5398	1	CHOKE ASSEMBLY
106	0E6043	2	SCREW TAPTITE M5-0.8 X 8 ZP
107	0D3432	1	PANEL, CONTROL FACE PLATE
108	090388	14	SCREW TAPTITE M6-1.0X 12 CLEAR ZINC
109	0D4767	1	SWITCH ROCKER
110	0D1142A	1	WRAPPER, LOWER CYLINDER 2
111	0D1143	1	WRAPPER, UPPER CYLINDER 2
112	0F1177	1	ASSEMBLY, GROUND WIRE
113	0H6244	1	EXTENDED BARBED STR 1/4 NPT X 3/8
114	0G3111	4	SCREW HHTT M6-1.0 X 25 ZINC
115	0G3224TB	1	ASSY IGN COIL NO ADV 760/990
116	0F6263	1	PUMP, IMPULSE
117	048031G	1	CLAMP, HOSE BAND GREEN
118	0G0926	2	SCREW, HHFCS M6-1.0 X 16 G8.8
119	0G0832	1	ELBOW, RUBBER 90 DEG. GASOLINE
120	0E7585A	2	SPARKPLUG, CHAMPION RC14YC
121	0E9323	1	STARTER MOTOR GEAR REDUCED
122	022129	3	WASHER LOCK M8-5/16
123	061906	2	SCREW HHC M8-1.25 X 85 G8.8
124	022145	1	WASHER, FLAT M8
125	0F5467	1	NUT, HEX M8-1.25 YELLOW ZINC
126	0D1131	1	GUARD,FAN
127	0F1169B	1	HOUSING, BLOWER GAS COOLER
128	0C9763	4	NUT, GROMMET 1/4 PLUG
129	0C3034	1	NUT,HEX M24

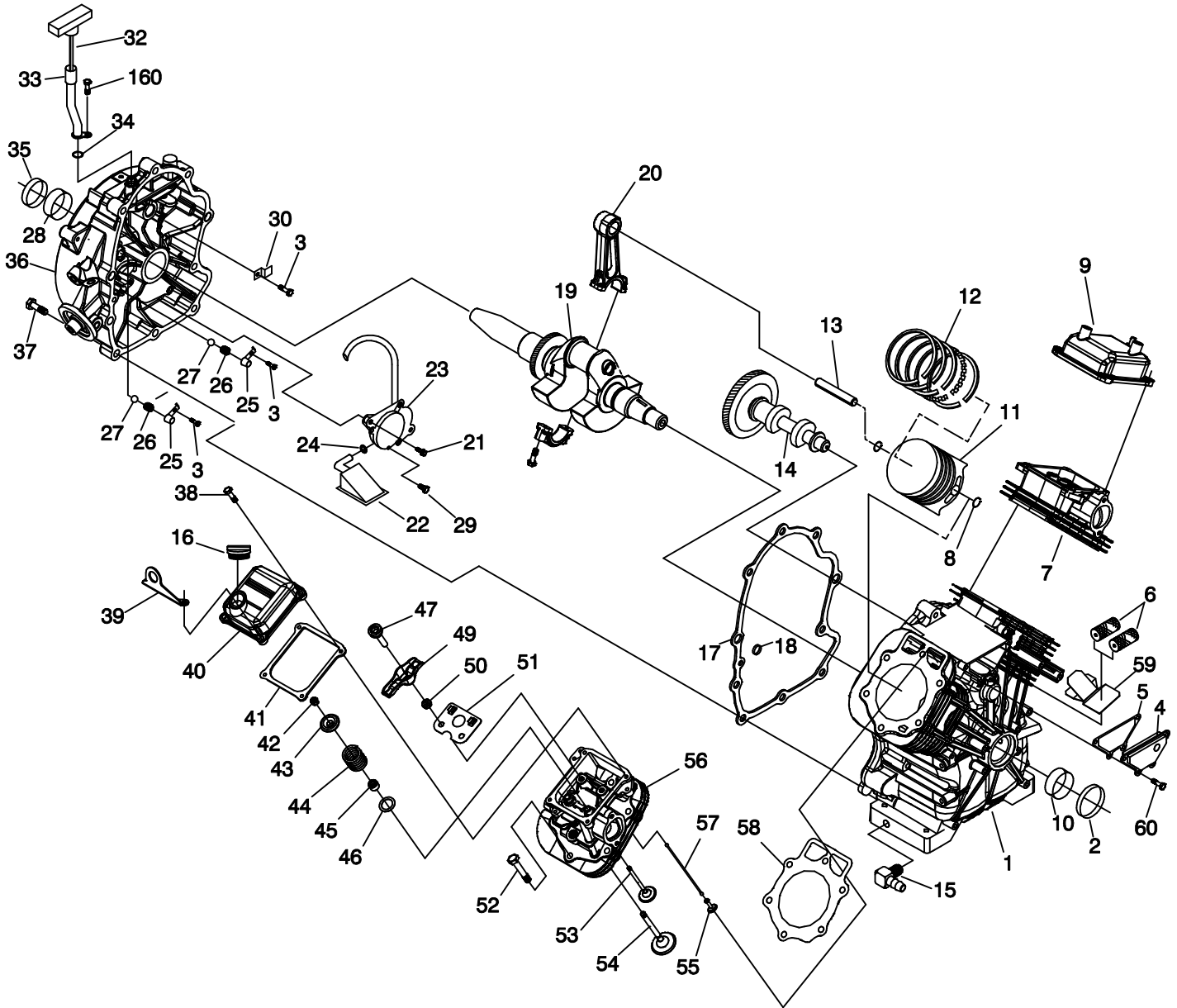
EXPLODED VIEW: EV ENGINE GTH990 PORT UNIV**DRAWING #: 0J3071****GROUP D**

ITEM	PART#	QTY.	DESCRIPTION
130	0C3033	1	WASHER, M24
131	0C3032	1	PLATE, FAN
132	0H1330	1	HARNESS ENGINE PORT GP (NOT SHOWN)
133	0H4957	2	SCREW HHFCS M8-1.25 X 10 G8.8
134	0C3031	1	FAN, NYLON
135	0E4997	1	ASSY, GROUND WIRE CONNECTOR
136	0G3224TA	1	ASSY IGN COIL NO ADV 760/990
137	0C3725A	1	FLYWHEEL ASSEMBLY
138	0G4928C	1	PLATE, BACKING GT990 WITH CUT OUT
139	082774	1	KEY, WOODRFF 4 X 19D
140	0C3043	2	GASKET, MANIFOLD / PORT
141	0C9764	4	PLASTITE, 1/4-15 X 3/4
142	0E9506	1	COOLER, OIL
143	0G3224TB	1	ASSY IGN COIL NO ADV 760/990
144	0F0452C	2	HOSE 3/8" 300PSI 6.5" LG OIL
145	035461	1	BARBED STR 1/4NPT X 3/8
146	070185E	1	OIL FILTER, 90mm NO LOGO
147	0G4403	1	ASSEMBLY, OIL DRAIN HOSE
149	0G6820	1	SWITCH, OIL PRESS
150	0G2363	1	BRACKET, AIRBOX SUPPORT
151	0C3018	1	WRAPPER, UPPER CYLINDER 1
152	0C3019	1	WRAPPER, LOWER CYLINDER 1
153	0F9176H	1	HOSE, 1/4" SAE 30R7 GREENBAR
154	0E0409	1	ASSY, ROD, GOV. STEPPER MOTOR
155	0G0919	6	SCREW HHFCS M6-1 X 12 G8.8
157	0D9784	1	NUT, LOCK HEX M3-0.5 (GT-990)

ITEM	PART#	QTY.	DESCRIPTION
-------------	--------------	-------------	--------------------

This page left blank intentionally

GROUP



EXPLODED VIEW: ENGINE PARTS
DRAWING #: 0J3071

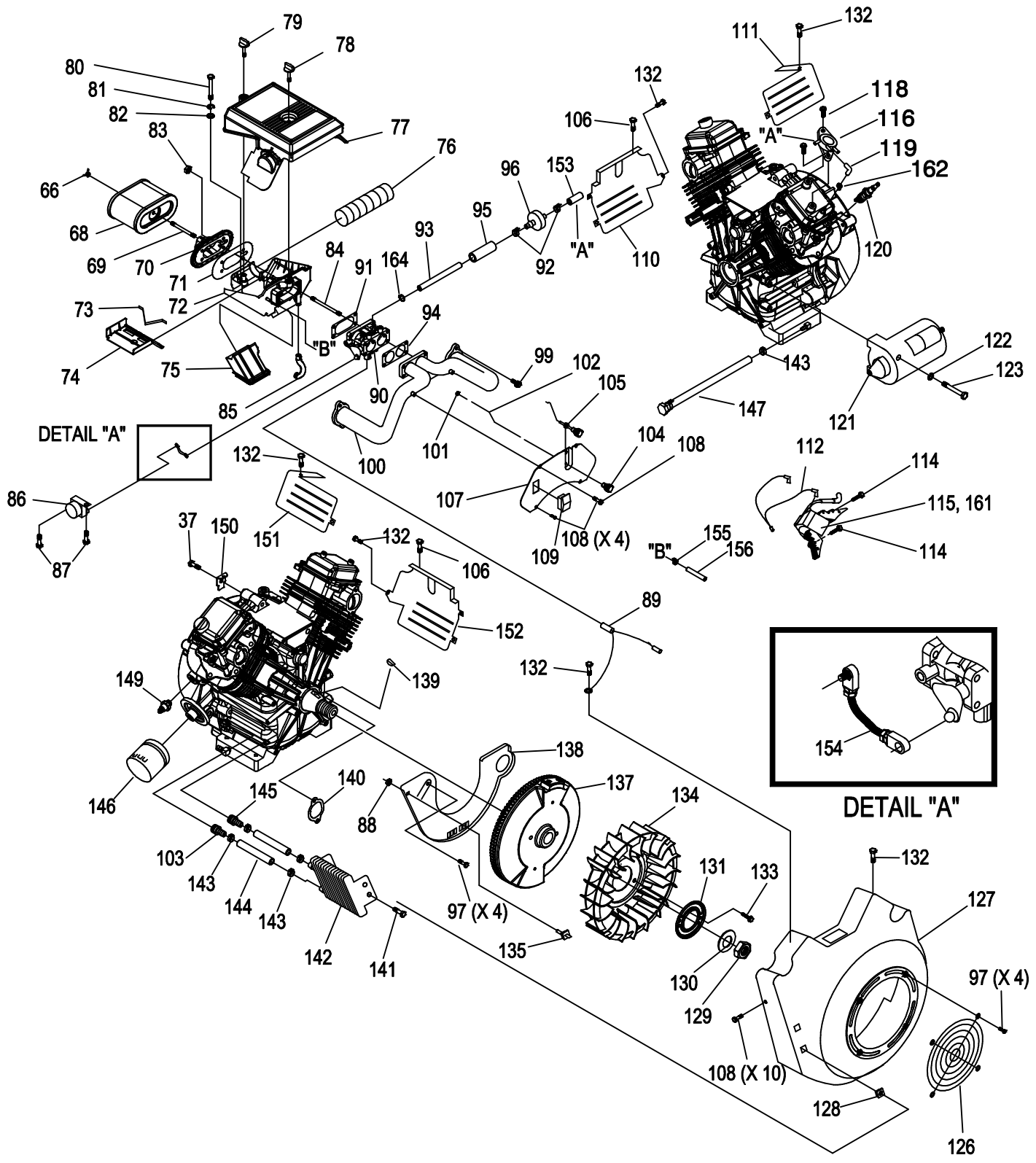
GROUP

APPLICABLE TO: 005734, 005735

ITEM	PART #	QTY.	DESCRIPTION
1	0G7908A	1	CRANKCASE GTH990 W/TAPER PLUGS
2	0K1534	1	SEAL CSHFT FLYWL SIDE RED
3	0G0919	3	SCREW HHFCS M6-1.0 X 12 G8.8
4	0G9100	1	ASSEMBLY, BREATHER DUAL VALVE
5	0C3005	1	GASKET, BREATHER COVER
6	0E3372C	2	SEPARATOR, OIL BREATHER
7	0H1760A	1	ASSY HEAD CYL #1
8	071983	4	RETAINER, PISTON PIN 20
9	0G0693	1	ASSY, ROCKER COVER W/BARB
10	0C2960	1	SLEEVE, BEARING, CCASE
11	0G2752	2	PISTON, DISH TOP DIA 90 COATED
12	0G2565	2	RING SET, PISTON TOP DIA 90
13	0E1466	2	PIN PISTON
14	0D4041	1	ASSEMBLY, CAMSHAFT & GEAR
15	043790A	1	BARBED ELBOW, 90 DEG. 3/8NPT X 3/8 VS
16	093064	1	ASSEMBLY, OIL FILL CAP
17	0C2977	1	GASKET, CRANK CASE
18	0C5943	1	SEAL, OIL PASSAGE
19	0E4357E	1	CRANKSHAFT AND GEAR GTH-990
20	0J8969	2	ASSY CONROD MACH GT990
21	0G6431	2	SCREW SHC SEMS M6-1.0 X 50 G8.8
22	0E6098	1	SCREEN, OIL PICKUP
23	0D4123B	1	ASSY,OIL PUMP GTH W/O O-RING
24	0E8152	1	O-RING, 0.49 ID X 0.07 THICK
25	0C3011	2	COVER, OIL RELIEF
26	0C3009	2	SPRING, OIL RELIEF
27	0C3010	2	BALL, 1/2D OIL RELIEF
28	0C4166	1	SLEEVE PTO BEARING GTH990
29	0F5458	1	SCREW, PLASTITE HI-LOW #10
30	0C5998	1	CLAMP, OIL TUBE
32	0F2664M	1	ASSEMBLY, DIPSTICK GTH-990 PORTABLE
33	0D3745	1	TUBE, DIPSTICK
34	0C3027	1	O-RING, 3/8 X 1/2
35	0E9842A	1	SEAL, 42 I.D. CRANKSHAFT GREEN
36	0K3658	1	ASSY,HS COVER W/SLV
37	0C3006	10	SCREW, HHFC M10-1.5 X 55
38	080318	8	SCREW HHFC M6-1.0 X 25
39	0G1839	2	LIFT HOOK, GT990/760
40	0D2723D	1	COVER, ROCKER W/OIL FILL "GENERAC" TEXT
41	0C2979	2	GASKET, VALVE COVER
42	086515	8	KEEPER, VALVE SPRING
43	0D2274	4	RETAINER, VALVE SPRING
44	0D3867	4	SPRING, VALVE
45	078672	2	SEAL, VALVE STEM D7
46	0C5371	4	WASHER, VALVE SPRING
47	072694	4	STUD, ROCKER ARM PIVOT
49	0D5313	4	ROCKER ARM
50	0D3998	4	NUT, HEX M8-1.0 GB YELLOW CHROM
51	0J9679	2	PUSH ROD GUIDE PLATE
52	0C2976	12	SCREW HHFC M8-1.25 X 65
53	086516	2	VALVE, EXHAUST
54	0C2229	2	VALVE, INTAKE
55	083897	4	TAPPET, SOLID
56	0H1760B	1	ASSY HEAD CYL #2
57	0D9853D	4	PUSHROD 147
58	0C2978	2	GASKET, HEAD
59	0G8558	1	DIVERTER, BREATHER GTH
60	0D6147	4	SCREW HHFCS M6-1.0 X 10 GR.8

ITEM	PART #	QTY.	DESCRIPTION
------	--------	------	-------------

GROUP



EXPLODED VIEW: ENGINE PARTS
DRAWING #: 0J3071

GROUP

APPLICABLE TO: 005734, 005735

ITEM	PART #	QTY.	DESCRIPTION
66	0D6592	1	WINGNUT, AIRBOX
68	0D9723	1	ELEMENT, AIR CLEANER
69	0E5302	1	STUD M6-1.0 X 7.3
70	0D4183	1	ADAPTOR, SPIT BACK
71	0D6327	1	GASKET, SPITBACK
72	0D2774B	1	BASE, AIRBOX
73	0D5125	1	SPRING, WINTER/SUMMER VALVE
74	0D2930	1	VALVE, SUMMER / WINTER
75	0D4612A	1	SNORKEL, AIRINTAKE
76	0D6143	1	TUBE, HEAT RISER 50.8 I.D.
77	0D2775	1	COVER, AIRBOX
78	0D5014A	1	KNOB, AIRBOX 17mm
79	0D5014B	1	KNOB, AIRBOX 95MM
80	049721	1	SCREW HHC M6-1.0 X 35
81	022097	1	WASHER LOCK M6-1/4
82	022473	1	WASHER FLAT 1/4
83	0E8388	4	NUT, HEX FLANGE WHIZ M6-1.0
84	0D6021	4	STUD, METRIC
85	0C9093A	1	HOSE, BREATHER
86	0G6454	1	ASSY,CONTROLLER, GTH990 PORTABLE
87	066849B	2	SCREW HHTT M5-0.8 X 8 BP
88	082025	1	NUT, HEX LOCK M5-0.8 ZINC
89	0E3398	1	ASSEMBLY, WIRE
90	0G4612	1	CARBURETOR, H990 W/BALL STUD
91	0D4026	1	GASKET, CARB TO SPACER (GT-990)
92	0G3662A	3	CLAMP, HOSE OETIKER STEPLESS 14.5mm
93	0F9176C	1	HOSE 1/4 ID SAE 30R7 GREENBAR 9" PRE-CUT
94	0G0510	1	GASKET, MANIFOLD TO CARBURETOR
95	084409D	1	SLEEVEING, FLEXO HW 1/4 3"
96	0D6313	1	FILTER, FUEL
97	045756	8	SCREW, HHTT M6-1 x 10 LONG
98	082025	1	NUT, HEX LOCK M5-0.8 ZINC
99	0G3730B	4	SCREW, SHC M8-1.25 x 25 LG SEMS
100	0J8893	1	MANIFOLD, INTAKE
101	051714	1	NUT HEX M3-0.5
102	0D5411	1	ROD, SUMMER / WINTER VALVE
103	035461	1	BARBED STR 1/2 NPT X 3/8
104	0D5416	1	KNOB, CONTROL SUMMER / WINTER, BLACK
105	0D5398	1	CHOKE ASSEMBLY
106	0E6043	2	SCREW TAPTITE M5-0.8 X 8 ZP
107	0D3432	1	PANEL, CONTROL FACE PLATE
108	090388	14	SCREW TAPTITE M6-1.0X 12 CLEAR ZINC
109	0D4767	1	SWITCH ROCKER
110	0D1142A	1	WRAPPER, LOWER CYLINDER 2
111	0D1143	1	WRAPPER, UPPER CYLINDER 2
112	0F1177	1	ASSEMBLY, GROUND WIRE
114	0G3110	4	SCREW TAPTITE M6-1.0 X 20 ZINC
115	0G3224B	1	ASSY, IGN COIL W/DIODE NO ADV
116	0F6263	1	PUMP, IMPULSE
118	0G0926	2	SCREW, HHFCS M6-1.0 X 16 G8.8
119	0G0832	1	ELBOW, RUBBER 90 DEG. GASOLINE
120	0E7585A	2	SPARKPLUG, CHAMPION RC14YC
121	0E9323	1	STARTER MOTOR GEAR REDUCED
122	022129	2	WASHER LOCK M8-5/16
123	061906	2	SCREW HHC M8-1.25 X 85 G8.8
126	0D1131	1	GUARD,FAN
127	0F1169B	1	HOUSING, BLOWER GAS COOLER
128	0C9763	4	NUT, GROMMET 1/4 PLUG
129	0C3034	1	NUT,HEX M24
130	0C3033	1	WASHER, M24
131	0C3032	1	PLATE, FAN
132	0G0919	6	SCREW HHFCS M6-1 X 12 G8.8
133	0H4957	2	SCREW HHFCS M8-1.25 X 10 G8.8
134	0C3031	1	FAN, NYLON
135	0E4997	1	ASSY,GROUND WIRE CONNECTOR
137	0C3725A	1	FLYWHEEL ASSEMBLY
138	0G4928C	1	PLATE, BACKING GT990 WITH CUT OUT
139	082774	1	KEY, WOODRFF 4 X 19D
140	0C3043	2	GASKET, MANIFOLD / PORT

ITEM	PART #	QTY.	DESCRIPTION
141	0C9764	4	PLASTITE,1/4-15 X 3/4
142	0E9506	1	COOLER, OIL
143	0G3662B	5	CLAMP, HOSE OETIKER STEPLESS 18.5mm
144	0F0452C	2	HOSE 3/8" 300PSI 6.5" LG OIL
145	0H6244	1	BARBED STR 1/4NPT X 3/8
146	070185E	1	OIL FILTER, 90mm NO LOGO
147	0G4403	1	ASSEMBLY, OIL DRAIN HOSE
149	0G6820	1	SWITCH, OIL PRESS
150	0G2363	1	BRACKET, AIRBOX SUPPORT
151	0C3018	1	WRAPPER, UPPER CYLINDER 1
152	0C3019	1	WRAPPER, LOWER CYLINDER 1
153	0F9176H	1	HOSE, 1/4" SAE 30R7 GREENBAR
154	0E0409	1	ASSY, ROD, GOV. STEPPER MOTOR
155	048031C	1	CLAMP, HOSE BAND 1/4
156	0F9176U	1	HOSE 1/4 GREENBAR SAE 30R7 28.5"
161	0G3224A	1	ASSY, IGN COIL W/DIODE NO ADV
162	048031G	1	CLAMP, HOSE BAND GREEN
164	040173	1	CLAMP, HOSE WORM GEAR